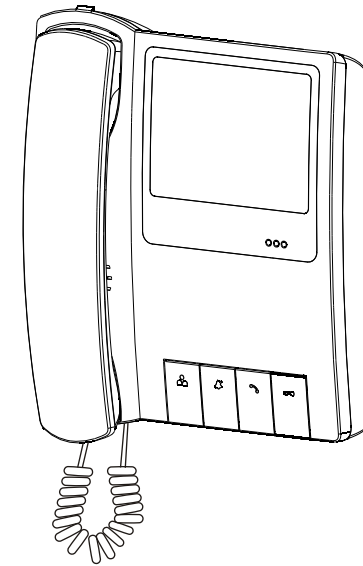


Video Door Phone Indoor Monitor

----- KW-4LT User Manual

- KW-4LT
- KW-4LT-W32
- KW-4LT-W64
- KW-4LTC
- KW-4LTC-W32
- KW-4LTC-W64



CONTENTS

| | |
|--|----|
| PRODUCTION INTRODUCTION | 3 |
| FEATURES AND PARTS | 4 |
| DIMENSION AND PARTS CHECKLIST | 5 |
| INSTALLATION | 6 |
| KW-4LT INSTALLATION | 6 |
| KW-4LT TAKE-DOWN MAP | 10 |
| NOTE ON INSTALLATION | 11 |
| OPERATION GUIDE | 12 |
| POWER ON/OFF | 12 |
| CALL REMIND | 12 |
| MONITOR/EXIT THE MONITOR | 12 |
| TALK/STOP | 12 |
| OPEN THE DOOR | 13 |
| CHORD RING SELECT | 13 |
| NO BOTHER FUNCTION | 13 |
| EXIT NO BOTHER FUNCTION | 13 |
| CALL BETWEEN INDOOR UNITS | 13 |
| INTERCOM BETWEEN INDOOR UNITS | 13 |
| OUTDOOR UNIT CALL TRANSFER (WITH EXTENSION OF KW-111) | 14 |
| RING VOLUME ADJUSTMENT | 14 |
| BRIGHTNESS ADJUSTMENT | 14 |
| CONTRAST ADJUSTMENT | 14 |
| AWAY FUNCTION | 14 |
| EXIT AWAY FUNCTION | 14 |
| INTRODUCTION OF IMAGE MEMORY (OPTIONAL) | 14 |
| IMAGE MEMORY OPERATION (OPTIONAL) | 15 |
| WIRING DIAGRAMS | 16 |
| CONNECTION DIAGRAM OF INDOOR UNIT AND OUTDOOR CAMERA (1-1) | 16 |
| CONNECTION DIAGRAM OF INDOOR UNIT AND OUTDOOR CAMERAS (1-2) | 18 |
| CONNECTION DIAGRAM OF INDOOR UNIT AND EXTENSION& OUTDOOR CAMERA(1+1-1) | 20 |
| CONNECTION DIAGRAM OF INDOOR UNIT AND EXTENSION& OUTDOOR CAMERAS (1+1-2) | 22 |
| CONNECTION DIAGRAM OF INDOOR UNIT AND OUTDOOR CAMERAS (Using 75Ω coaxial cable of VD1 and VD2) | 24 |
| TROUBLE SHOOTING GUIDE | 25 |
| SPECIFICATIONS | 26 |

PRODUCT INTRODUCTION

Thank you for purchasing our products of building intercom system series. Please read the instructions carefully and follow the directions before install the products.

Any problem regarding to the product, please query your supplier.

GENERAL FEATURES:

- Monitor and remote unlock
- Kinds of chord ring (optional) and clear tone
- Ring volume/contrast /brightness adjustable
- No bother function
- B&W image memory optional: KW-4LT-W32 (32pcs) & KW-4LT-W64 (64pcs)
- Power supply: AC100-240V and DC13.5V/1.5A optional
- Extension connectable, intercom and call transfer between indoor units
- 2 door cameras connectable



CAUTION:

To avoid the risk of electric shock, please don't remove cover or back. Please ask professional person if maintenance needed.

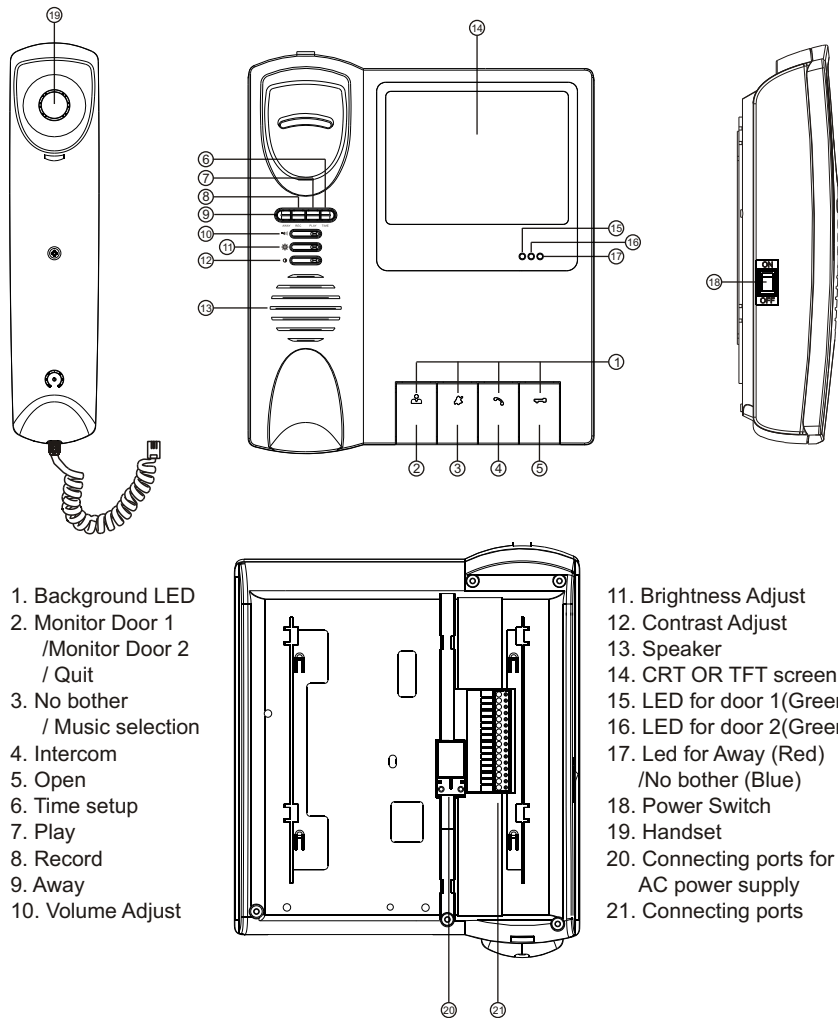


Remind users that important operation and maintenance guides are included in the attached user's manual.

* KENWEI reserves the right to change or modify design, features, functions and specifications without any prior notice for the improvement and promotion of products quality.

FEATURES AND PARTS

KW-4LT FEATURES AND PARTS



- 1. Background LED
- 2. Monitor Door 1 / Monitor Door 2 / Quit
- 3. No bother / Music selection
- 4. Intercom
- 5. Open
- 6. Time setup
- 7. Play
- 8. Record
- 9. Away
- 10. Volume Adjust

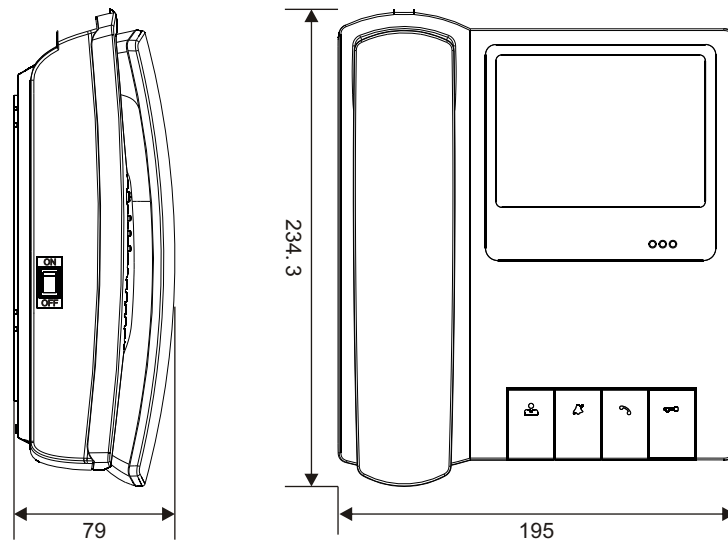
- 11. Brightness Adjust
- 12. Contrast Adjust
- 13. Speaker
- 14. CRT OR TFT screen
- 15. LED for door 1(Green)
- 16. LED for door 2(Green)
- 17. Led for Away (Red) / No bother (Blue)
- 18. Power Switch
- 19. Handset
- 20. Connecting ports for AC power supply
- 21. Connecting ports

Remark: the function after “/ “means the button with different functions under different status.

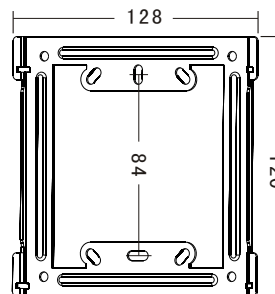
DIMENSION AND PARTS CHECKLIST

Unit: mm

DIMENSION:



SPARE PARTS:



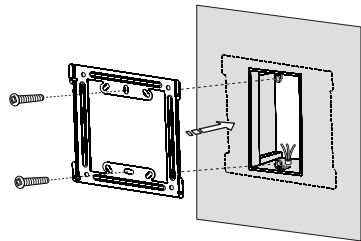
 Mounting Screw : ϕ 4*25mm

 Dilatant Plug

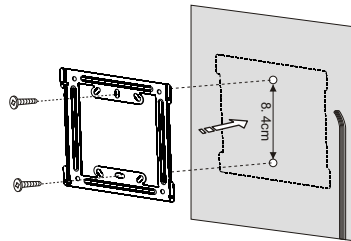
Mounting Bracket

INSTALLATION

KW-4LT INSTALLATION



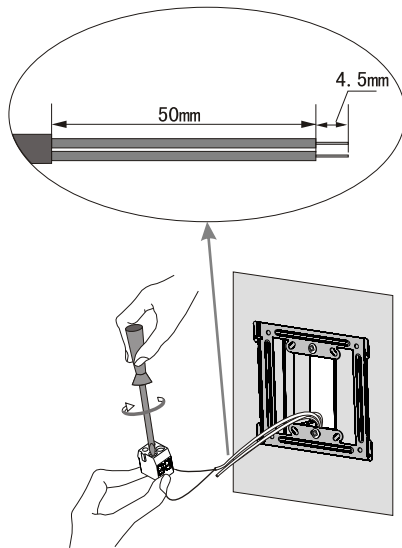
Installation with embedded box



Installation without embedded box

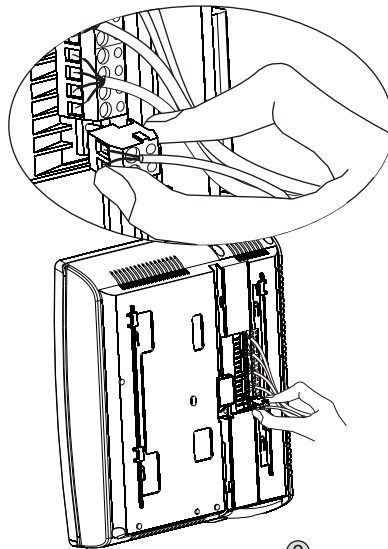
①

1. Fix the bracket to the embedded box which the embedded box have been installed in the wall. If without embedded box, at the selected mounting location, drill 2 holes, the distance from top to bottom is 8.4cm, then push in the dilatant plug, and use the mounting screws to fix the bracket.



②

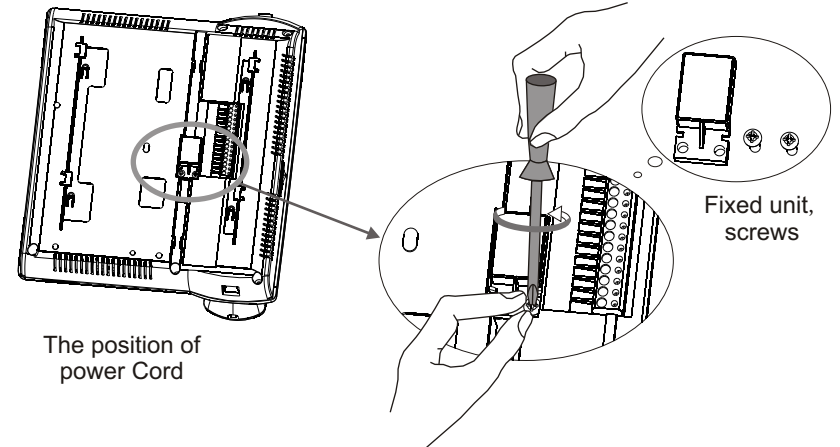
2. Peel each wire, the core length as the above direction, then use flat screwdriver to fasten, pulling wire to check whether it is fastened well.



③

3. After connection (Please refer to connection diagram), insert the connecting ports to the pins at the back of the unit (Be careful not to make mistake)

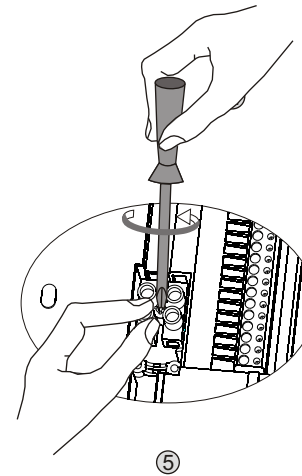
KW-4LT with AC power cord



The position of power Cord

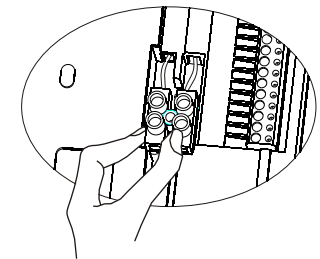
④

4. Use screwdriver to screw out the screws from the fixed unit, pick up the fixed unit, you will see the power connection ports.



⑤

5. Use screwdriver to screw out the screws from the center of the power connection ports.



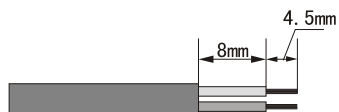
⑥

6. Pulling the power connection ports slightly by hand in order to insert the power cord.

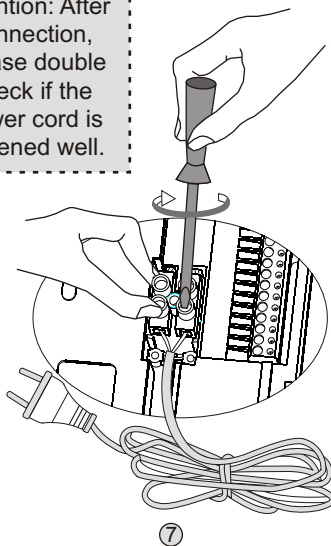
KW-4LT with AC power cord

Attention: After connection, please double check if the power cord is fastened well.

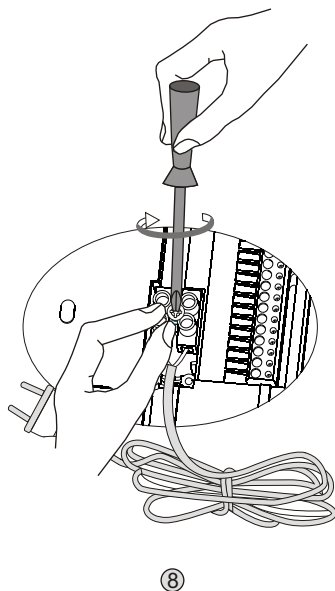
Wire peeling length :



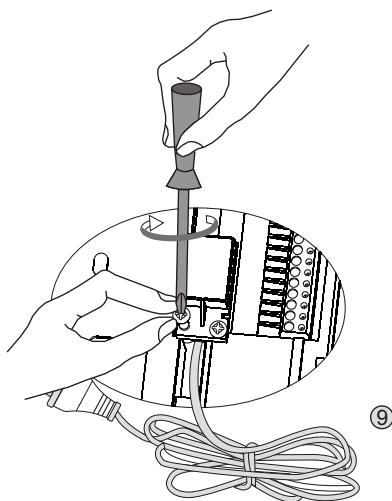
7. According to the peeling length to peel the power cord, and then connect the power cord to the connection ports, finally use screwdriver to fasten the 2 screws.



8. Aim the installed power connection ports at the center screw and use screwdriver to fasten the connection ports.

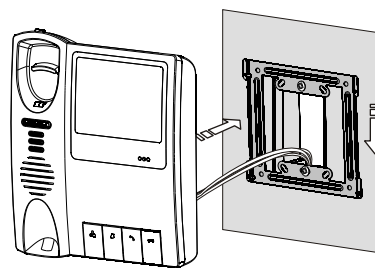


9. Finally fasten the fixed unit with the 2 screws. Recheck if the power cord is fastened well.

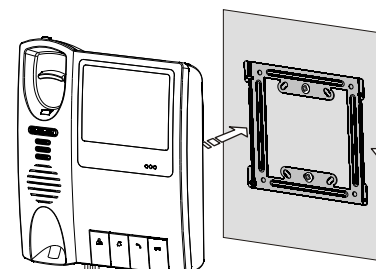


KW-4LT INSTALLATION

Attention: Installation with embedded box: Tidy up the redundant line and place in the embedded box. Installation without embedded box: Tidy up the line and place it at the back cover's slot.



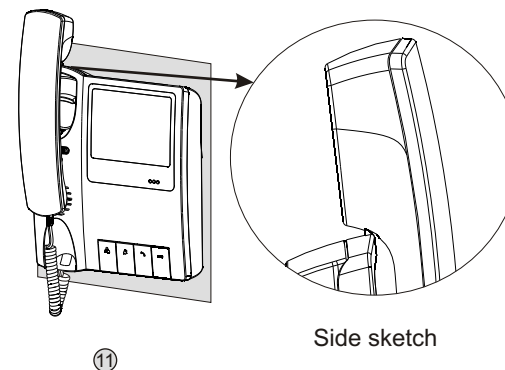
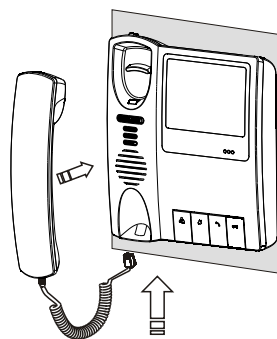
Installation with embedded box



Installation without embedded box

10. Push the wired monitor unit to the wall mounting bracket hooks and slide it down. (If the installation is without embedded box, the wires should be pulled out from the top or bottom of back cover)

Attention: If you want to ask another person to talk, you can put the handset on the top of the unit.

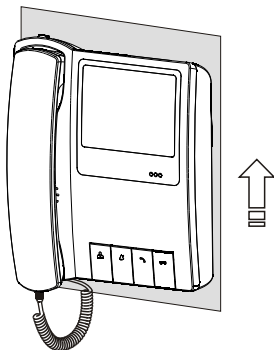


Side sketch

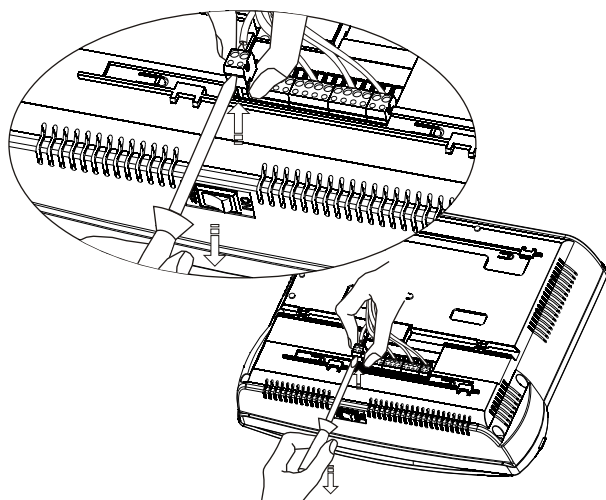
11. Connect the handset cord to the monitor unit and place the handset into the cradle to complete the installation.

KW-4LT Disassemble method

Attention: Cut off the power supply before disassemble



1. Push the monitor upward to take down it.



2. Use a flat screwdriver to take out the connection ports.

INSTALLATION ATTENTION

1. Do not expose the unit to sunshine or rain:

Even if you do not use it, don't expose it to sunshine or rain.

2. Do not expose to intense light:

Spotlight may cause stain or striation in the screen.

3. Do not disassemble the unit by yourself:

Improper disassembly may damage the unit or cause electric shock.

4. Do not splash water on the unit:

Install the unit in dry place. In case that the unit gets wet, turn off the unit and contact your dealer.

5. Check the ambient temperature and humidity

Avoid using the unit where the temperature is hotter or colder than specified, otherwise the internal parts may get affected. Special care is required to use the unit at high temperature and humidity.

6. In case of trouble:

If any trouble occurs while you are using the unit, turn off the power and contact your dealer to avoid worse problem or unpredictable accident.

7. About operation:

Keep the unit away from magnetic equipments such as microwave oven or big speaker. If the unit will not be used for a long time, please switch it off.

8. About clean:

Use soft cloth to clean the unit. Do not use any impregnant, such as alcohol, benzene. If you have any problem, please contact your dealer.

9. The equipment shall be installed near the socket outlet and shall be easily accessible.

* Remark:

When you choose the place to install the unit, please pay attention to:
Keep sufficient space for ventilation and easy communication.
Keep sufficient space to adjust while installing.
Not put hot resource under the unit.

OPERATION GUIDE

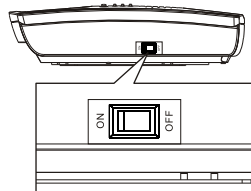
1. POWER ON/OFF

a. Power on

Turn on the power, push the power switch to “ON”, the unit will enter the stand-by status, the background LEDs turn on.

b. Power off

Push the power switch to “OFF”, cut off the power.



2. CALL REMIND

a. Call from outdoor unit 1

The indoor unit will display the image of outdoor unit 1 automatically when the outdoor unit 1 calls. The LED of outdoor unit 1 will light and the monitor rings. There is no chord ring when the indoor unit is in no bother status.

b. Call from outdoor unit 2

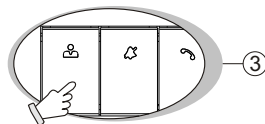
The indoor unit will display the image of outdoor unit 2 automatically when the outdoor unit 2 calls. The LED of outdoor unit 2 will light and the monitor rings. There is no chord ring when the indoor unit is in no bother status.

c. Call from another indoor unit

The indoor units sounds “du du”, when there is a call from another indoor unit.

3. MONITOR/EXIT THE MONITOR

Under stand-by status, press “” button to monitor the outdoor unit 1, press “” button again to monitor the outdoor unit 2, press “” button again, the unit will exit monitor status and back to stand-by status. After 90 seconds, it will exit the monitor status automatically.



4. TALK/STOP

a. Called to Talk

The indoor unit rings, when the indoor unit is called, lift the handset to talk.

b. Monitor to Talk

When the indoor unit under monitor status, lift the handset to enter talking status, the indoor unit and the monitored outdoor unit can talk.

c. Stop talking

Put down the handset to finish talk, the unit will go back to stand-by status or will be off automatically after 90 seconds.

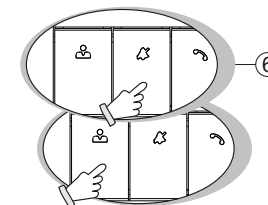
5. OPEN THE DOOR

Press “” can release the electronic lock, when the indoor unit is called, monitoring or talking. (The system will always under unlock status until you release the unlock button) (the function is effective only when the outdoor unit is installed with an electronic lock).



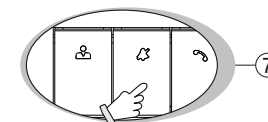
6. CHORD RING SELECT

You can choose the chord ring by pressing the “” button for 2 seconds when the unit is under standby. The ring is different by pressing “” button each time, you can save the ring you prefer with pressing “” button or wait for 10seconds the ring will stop automatically. The selected melody is for Door 1. Once the power is cut off, the chord ring will comeback to the “dingdong”. The melody for Door 2 is the next melody. The music from intercom will discontinuously sound “Dulongdong”.



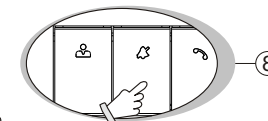
7. NO BOTHER FUNCTION

Press the “” button, the unit enter no bother status when the LED light. You can only see the picture of visitor without hearing the ring while the outdoor unit calls. Take up the handset to talk with the visitor.



8. EXIT NO BOTHER FUNCTION

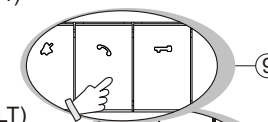
Under no bother status, press the “” button, it will exit the no bother status when the LED turns off.



9. CALL BETWEEN INDOOR UNITS (only when there is an extension KW-111 connected)

a. The main monitor(KW-4LT) calls the extension(KW-111)

Take up the handset of the monitor and press “” button, the monitor and the extension will ring “Dulongdong”. Take up the handset to talk.



b. The extension (KW-111) calls the main monitor(KW-4LT)

Take up the handset of the extension and press the “” button, the monitor will ring “Dulongdong”. Take up the handset to talk. (When the monitor is in talking and no bother status, there is no ring.)

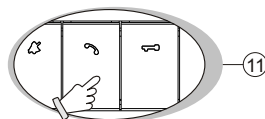


10. INTERCOM BETWEEN INDOOR UNITS (only when there is an extension KW-111 connected)

When the called indoor unit rings, take up the handset to talk with another indoor unit.

11. OUTDOOR UNIT CALL TRANSFER (only when there is an extension KW-111 connected)

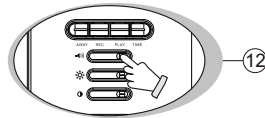
During the talk, press “ ” button, the main monitor, KW-111 and the outdoor unit will sound “Dulongdong” and the call can be transferred to another indoor unit. After transferring, put down the handset, the monitor will enter standby status automatically. When it stops ringing, if you still hold on the handset and the called indoor unit has no answer, the monitor is still under talking status, you can transfer again.



12. RING VOLUME ADJUSTMENT

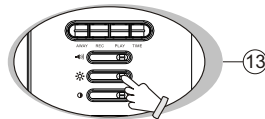
Press “ ” button to adjust ring volume under any status.

Press “ ” button to adjust ring volume during selecting chord ring, the volume will be the called ring volume.



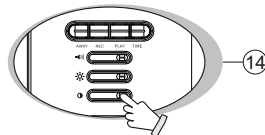
13. BRIGHTNESS ADJUSTMENT

Press the “ ” button to adjust the brightness.



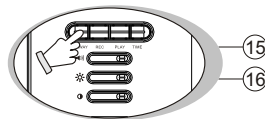
14. CONTRAST ADJUSTMENT

Press the “ ” button to adjust the contrast



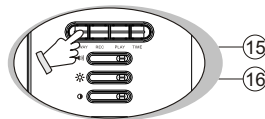
15. AWAY FUNCTION (for memory unit only)

The away function will be turned on by pressing “AWAY” button, the LED will light continually. (Once power off, the monitor will exit the away status.)



16. EXIT AWAY FUNCTION

To exit the away function, press “AWAY” button again, the LED will be off.



INTRODUCTION OF KW-4LT IMAGE MEMORY (FOR KW-4LT-W32 or KW-4LT-W64 ONLY)

1. Recording function

The user can record the image with time according to their demand, max to 32 or 64pcs pictures.

2. Review function

Under monitor and talk mode, the user can review the pictures which are recorded before.

3. Time display and revise function

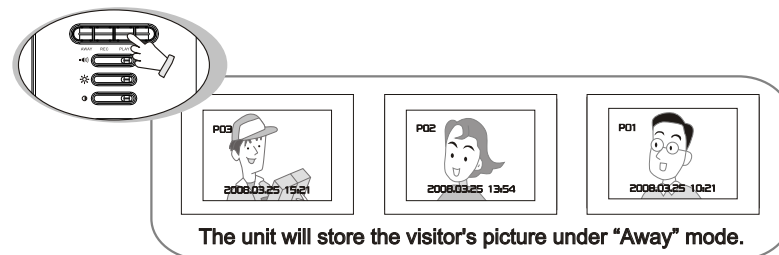
The system will show the time when you operate image memory function. Under this mode, you can revise the time and the date.

4. Away function

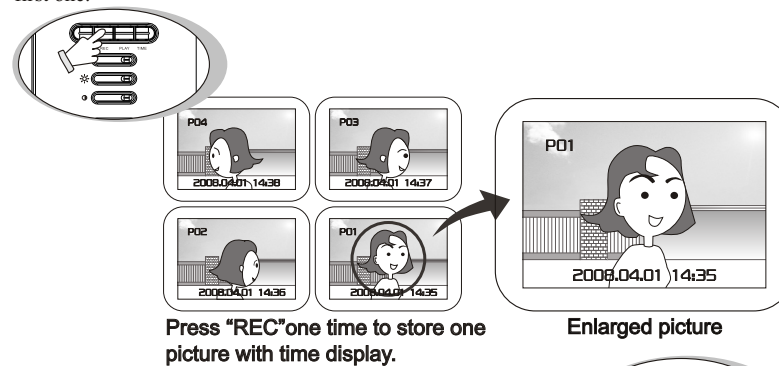
The system will automatically record each visitor's image when the Away function is turn on.

IMAGE MEMORY OPERATION(OPTIONAL)

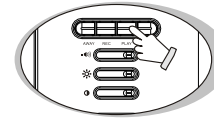
1. Push “AWAY” button when the user is out, the system enters into the away function. The unit will ring when somebody calls from outside. The system enters into the monitor mode automatically, and record the visitor's image. Push “PLAY” button under monitor status when the user come back to browse visitor' picture. As the picture shows below:



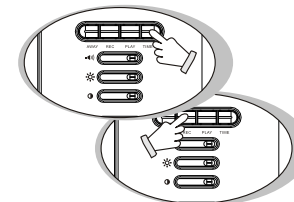
2. Under monitor mode, press “REC” to record the picture with time, push one time to record one picture, max to 64pcs. When the picture is over 64pcs, the system will auto-cover the first one.



3. In monitor and talk status, review 1 picture in time sequence by pressing “PLAY” button every time. After 10 seconds, the system will exit the review mode.



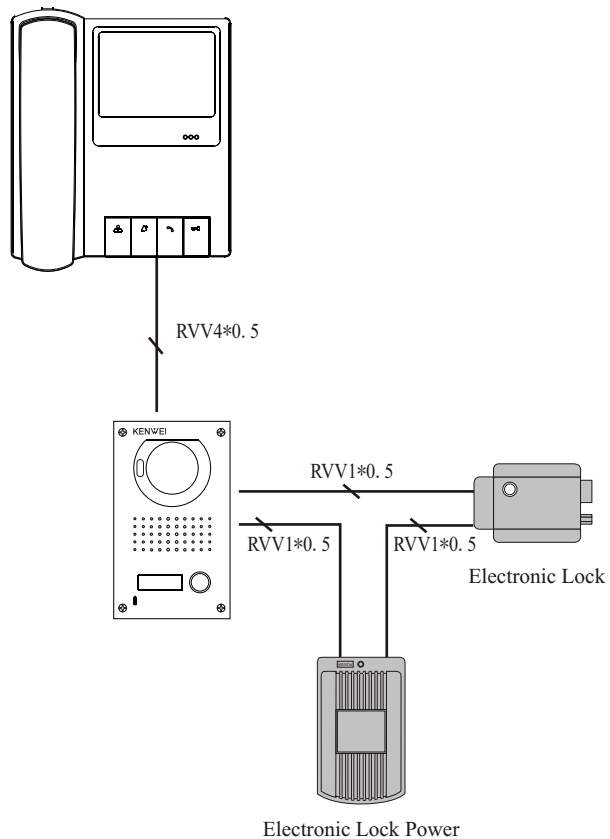
4. In monitor and talk status, press “Time” button to display time and date, and press “REC” button to edit time and date. When time adjustment finishes, press “Time” button to exit time setting.



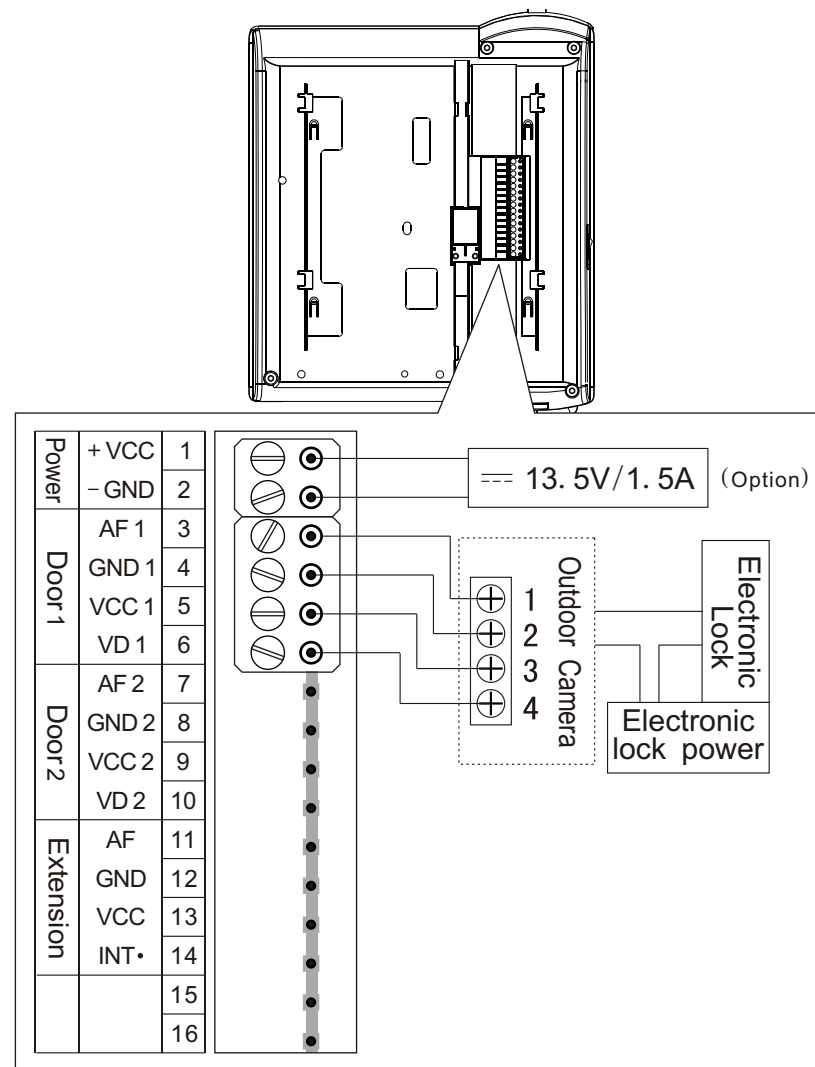
Remark: This memory will lose all stored information if electric power is off.

WIRING DIAGRAMS

CONNECTION DIAGRAM OF INDOOR UNIT AND OUTDOOR CAMERA (1-1)

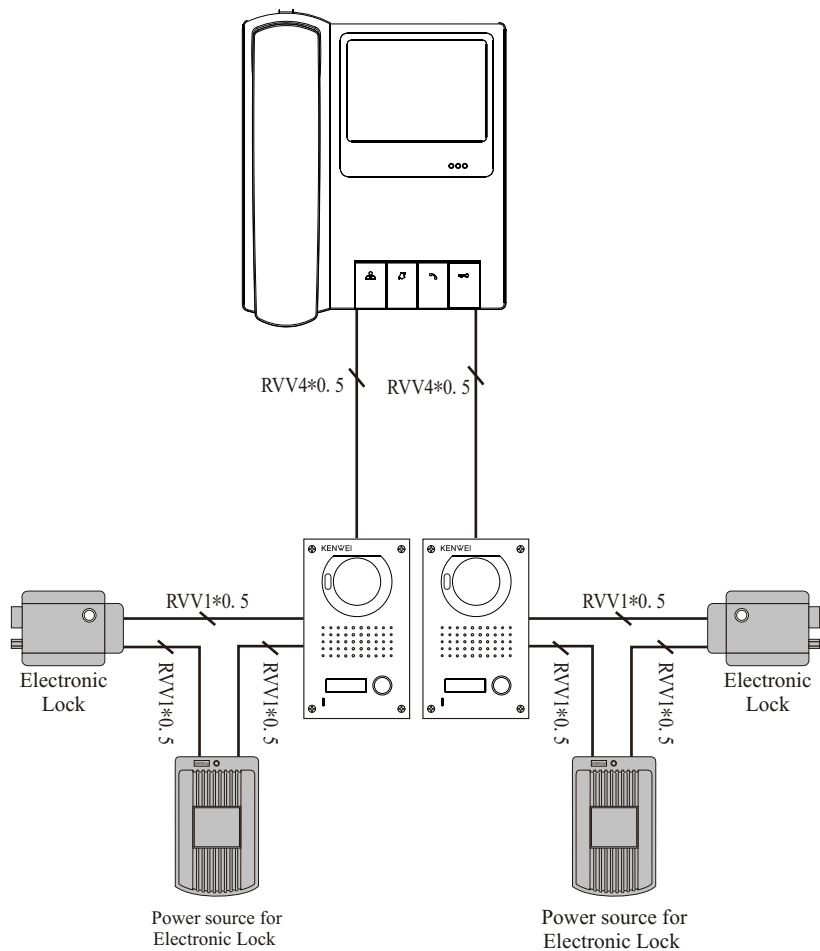


Connecting Diagram

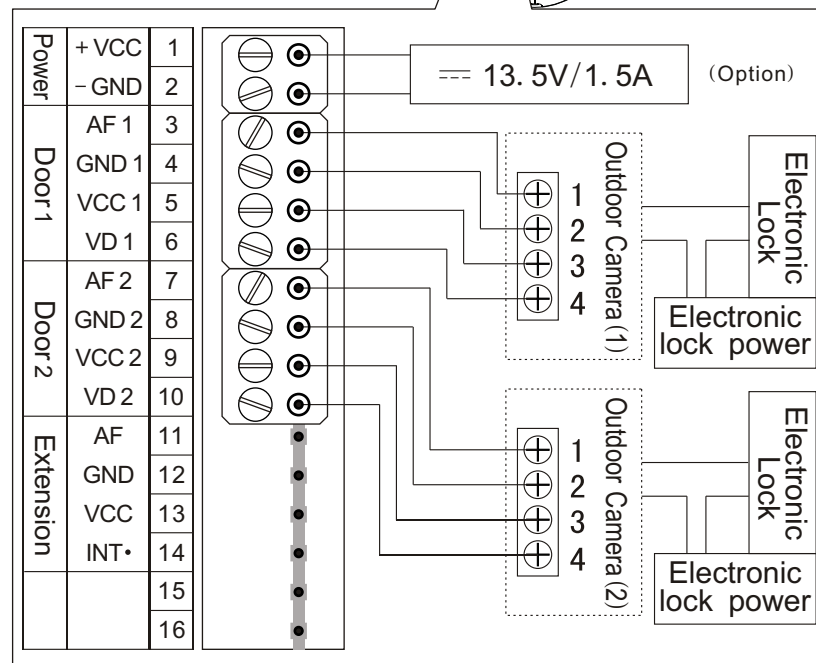
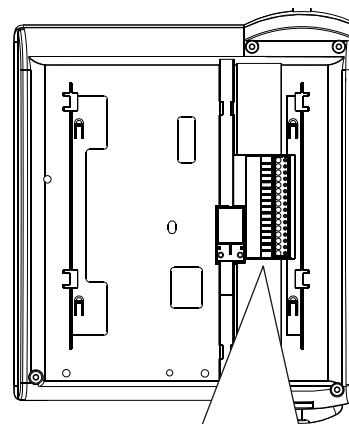


Remark: 1. When the monitor is AC version, please do not connect DC power supply to the port "1" & "2".
 2. When the connection between indoor monitor and outdoor camera is over 50 meters, you should use 75Ω coaxial cable for the connection of VD1 and VD2. Please find the detailed wiring diagram on Page 24.

CONNECTION DIAGRAM OF INDOOR UNIT AND OUTDOOR CAMERAS (1-2)

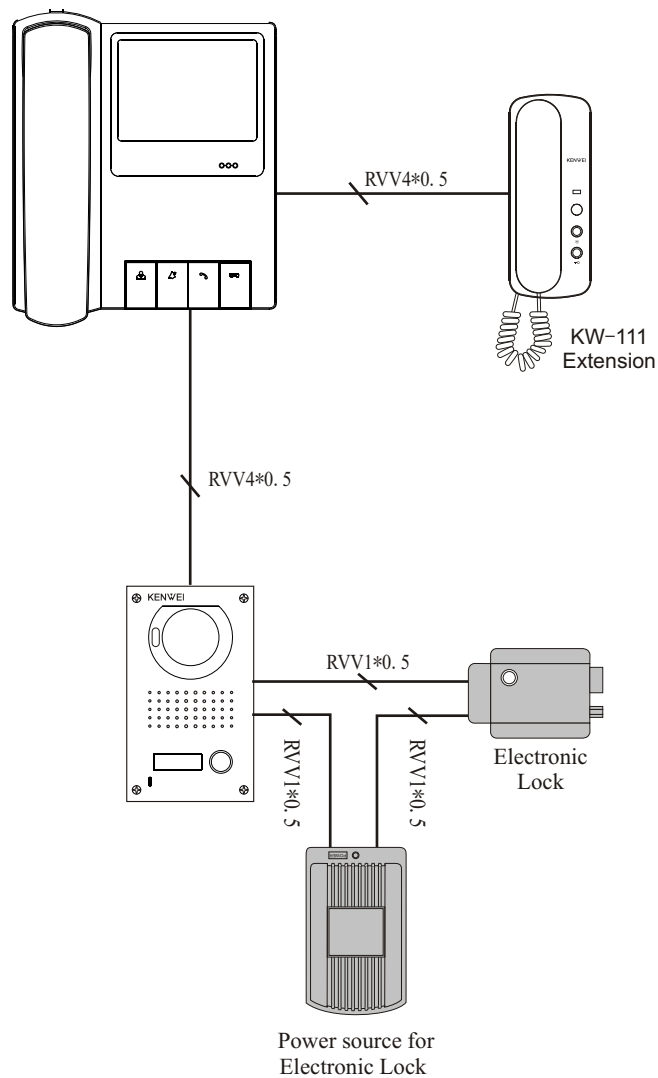


Connecting Diagram



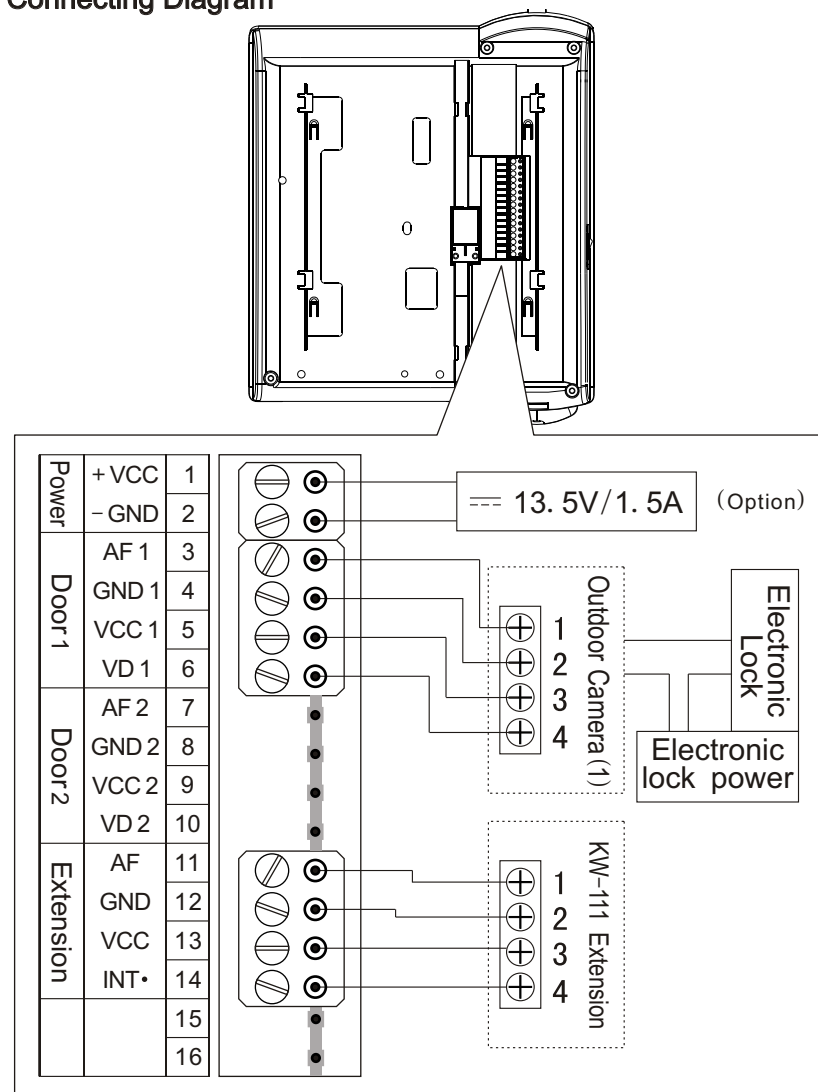
Remark: 1. When the monitor is AC version, please do not connect DC power supply to the port "1" & "2".
 2. When the connection between indoor monitor and outdoor camera is over 50 meters, you should use 75Ω coaxial cable for the connection of VD1 and VD2. Please find the detailed wiring diagram on Page 24.

CONNECTION DIAGRAM OF INDOOR UNIT AND EXTENSION & OUTDOOR CAMERA(1+1-1)



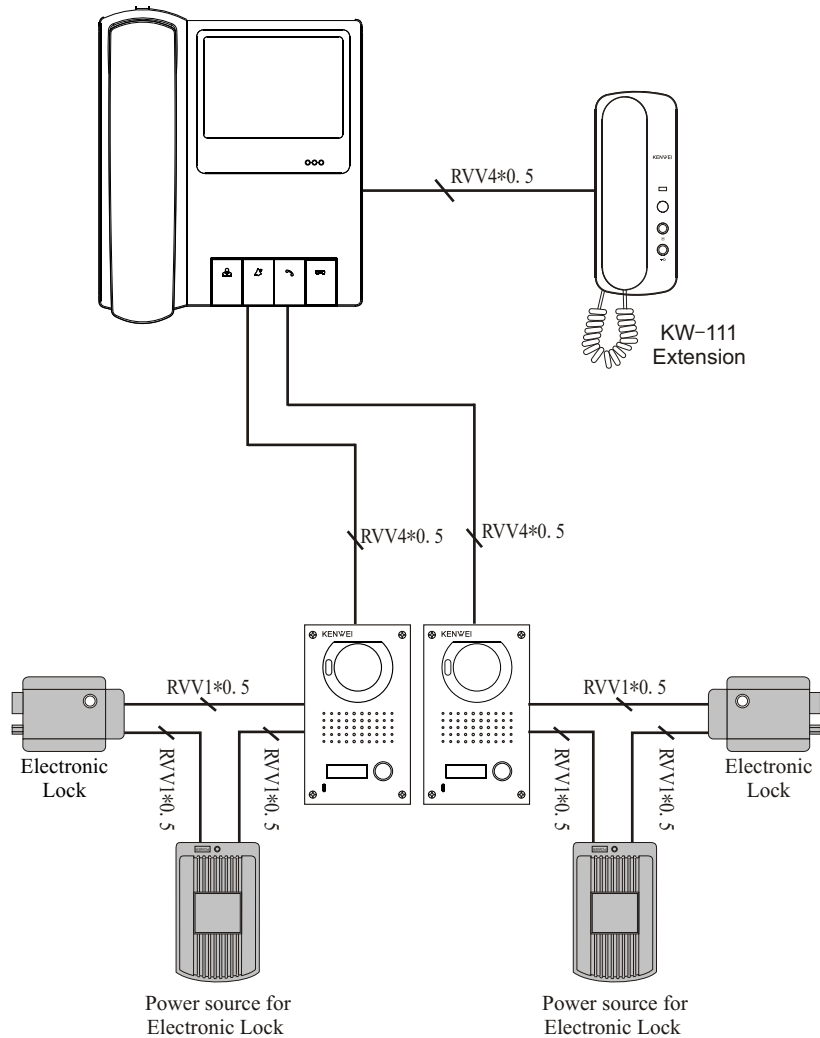
Remark: Only the KW-111 we produce can be connected as an extension.

Connecting Diagram



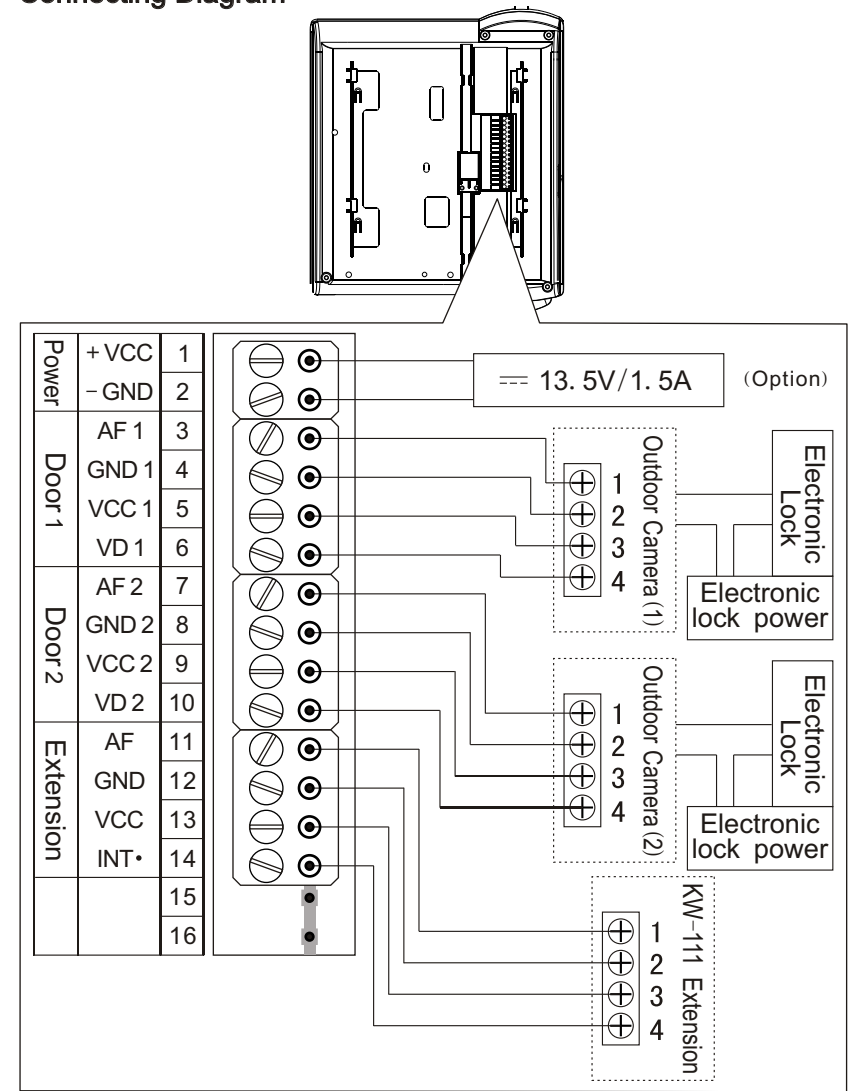
- Remark: 1. When the monitor is AC version, please do not connect DC power supply to the port "1" & "2".
2. When the connection between indoor monitor and outdoor camera is over 50 meters, you should use 75Ω coaxial cable for the connection of VD1 and VD2. Please find the detailed wiring diagram on Page 24.

CONNECTION DIAGRAM OF INDOOR UNIT AND EXTENSION & OUTDOOR CAMERAS (1+1-2)



Remark: Only the KW-111 we produce can be connected as an extension.

Connecting Diagram

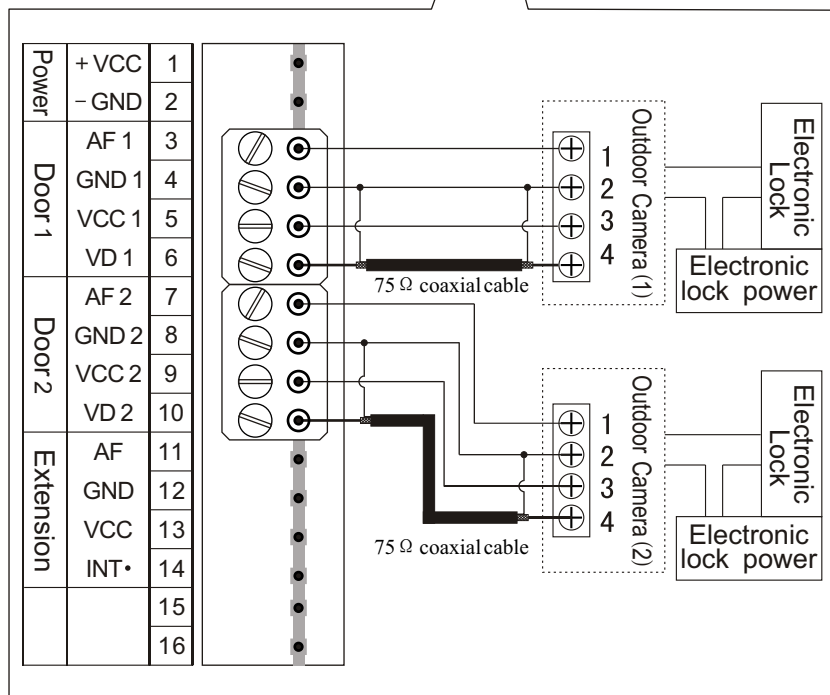
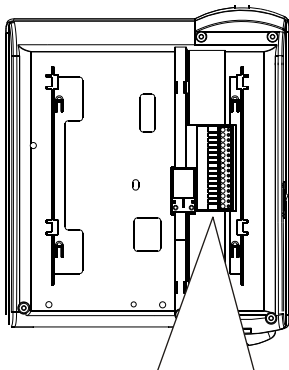


Remark: 1. When the monitor is AC version, please do not connect DC power supply to the port "1" & "2".
2. When the connection between indoor monitor and outdoor camera is over 50 meters, you should use 75Ω coaxial cable for the connection of VD1 and VD2. Please find the detailed wiring diagram on Page 24.

CONNECTION DIAGRAM OF INDOOR UNIT AND OUTDOOR CAMERAS (Using 75 Ω coaxial cable of VD1 and VD2)

When the connection between indoor monitor and outdoor camera is over 50 meters, you should use 75 Ω coaxial cable for the connection of VD1 and VD2.

The wiring diagram as follows:



TROUBLE SHOOTING GUIDE

| Trouble | Possible Cause | Solution |
|---|---|---|
| The unit doesn't work at all, the background LED doesn't work | <ul style="list-style-type: none"> There is no power supply The power is off | <ul style="list-style-type: none"> Check the adaptor is ok or not Turn on the power switch |
| Cannot call from outdoor camera | <ul style="list-style-type: none"> The connection between indoor and outdoor units is with problem The power is off | <ul style="list-style-type: none"> Check the connection between the indoor and the outdoor units Turn on the power switch |
| Cannot monitor the outdoor camera | The connection between indoor and outdoor units is with problem | Check the connection between the indoor and the outdoor units |
| Cannot release the lock | The wire between indoor monitor and outdoor unit is too thin | Replace the wire with thicker ones |
| No voice from the handset and the outdoor unit | Bad connection between the handset and the monitor | Connect the handset to the monitor |
| Can talk well but the picture quality is poor | The contrast and brightness are not in the optimal status | Adjust the contrast and brightness to optimal status |

SPECIFICATIONS

| | |
|-----------------------|--|
| Item \ Model | KW-4LT |
| Display | 4" CRT/ 4" Color TFT(optional) |
| Power | <input type="checkbox"/> AC100V~240V 50/60Hz 0.2A <input type="checkbox"/> DC13.5V/1.5A |
| Wiring | 4 wires in polarity |
| Ring | Music Chord and "DingDong" |
| Communication | Handset |
| Consumption | 9.1W(TFT with image memory) 13.3W(CRT with image memory) 7W(TFT without image memory) 11.2W(CRT without image memory) |
| Operation Temperature | -20°C ~ +60°C |
| Outdoor Unit | Connectable to any outdoor camera from our company |
| Extension | Only connectable to the extension KW-111 from our company |

SPECIFICATIONS

Wiring between the indoor monitor and the outdoor camera

| | | | | |
|-----------------------------------|-----|------|-------------------|-------------------|
| Max Distance(M) | | 50 | 100 | 200 |
| Sectional area (MM ²) | AF | 0.35 | 0.5 | 0.75 |
| | GND | 0.5 | 1.5 | 2.5 |
| | VCC | 0.5 | 1.0 | 2.0 |
| | VD | 0.35 | 75Ω coaxial cable | 75Ω coaxial cable |

Remark: When use the same cable for VCC, GND, AF, VD, please select the thickest one.

Wiring between the indoor monitor and the extension

| | | | |
|-----------------------------------|------|------|------|
| Max Distance(M) | | 50 | 100 |
| Sectional area (MM ²) | AF | 0.35 | 0.5 |
| | GND | 0.5 | 0.75 |
| | VCC | 0.5 | 0.75 |
| | INT· | 0.35 | 0.5 |

Remark: When use the same cable for VCC, GND, AF, INT·, please select the thickest one.